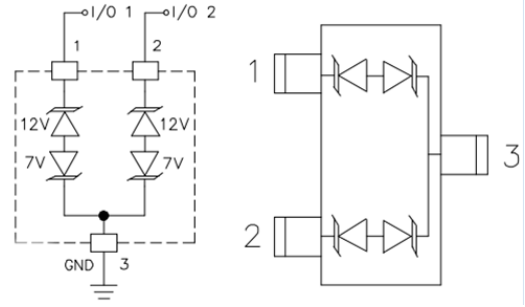




SM712 TVS Diode Array

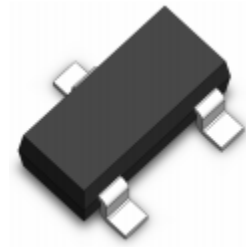
Features

- 150 Watts peak pulse power ($t_p = 8/20\mu s$)
- Transient protection for high speed datalines to
- IEC 61000-4-2 (ESD) $\pm 15kV$ (air), $\pm 8kV$ (contact)
- IEC 61000-4-4 (EFT) 40A (5/50ns)
- Protects tow +12V to -7V line
- Low operating and clamping voltages
- Solid-state silicon avalanche technology



Applications

- Protection of RS-485 transceivers with extended common-mode range
- Security systems
- Automatic Teller Machines
- HFC systems
- Networks



SOT-23

Absolute Maximum Ratings (T_{amb}=25°C unless otherwise specified)

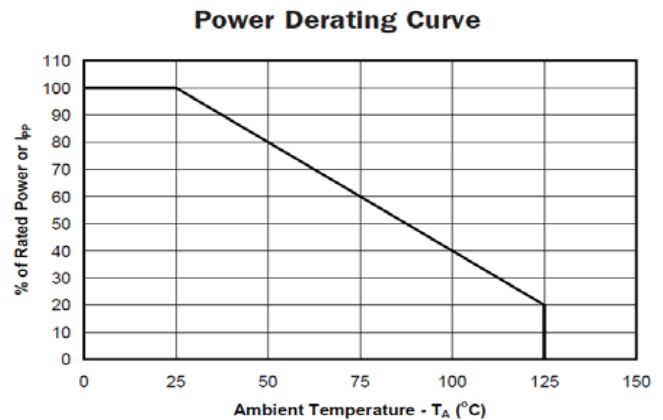
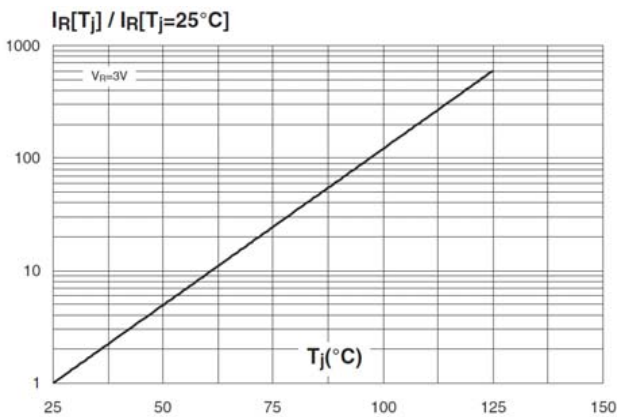
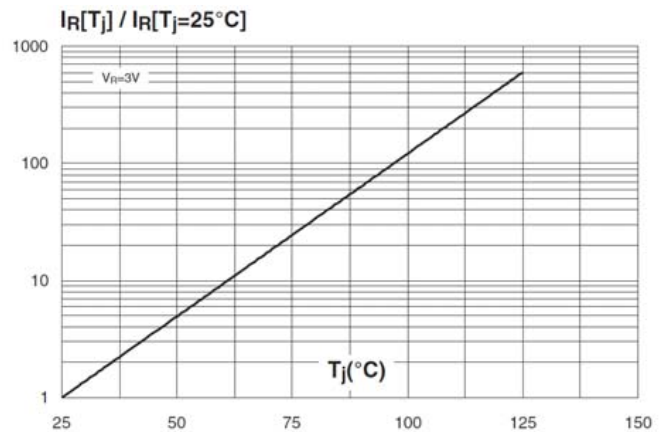
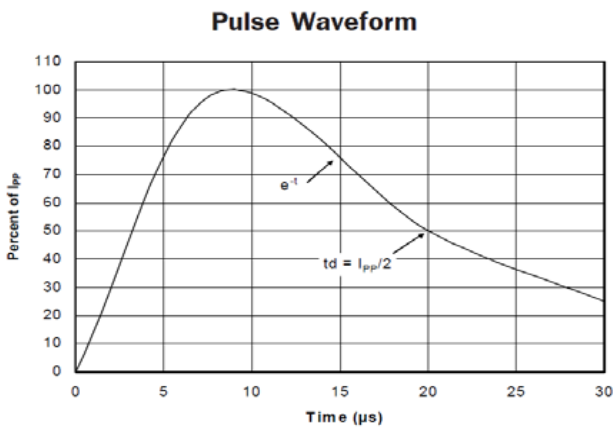
Parameter	Symbol	Value	Unit
Peak Pulse Power (8/20μs)	PPK	150	W
ESD per IEC 61000-4-2 (Air)	V _{ESD}	± 15	Kv
ESD per IEC 61000-4-2 (Contact)		± 8	
Operating Temperature Range	T _J	-55 to +125	°C
Storage Temperature Range	T _{STJ}	-55 to +150	°C



Electrical Characteristics (TA=25°C unless otherwise specified)

Part Number	Device Marking		V _{RWM} (V)	V _{BR} (V)	I _T (mA)	V _C @1A	V _C		I _R μA (Max)	C (Pf) (Typ.)
							(Max)	(@A)		
SM712	B712	Pin 3 to Pin 1/Pin 2	7	7.5	1	10	12	8	10	75
		Pin 1 / Pin 2 to Pin 3	12	13.2	1	19	26	8	1	75

Characteristic Curves

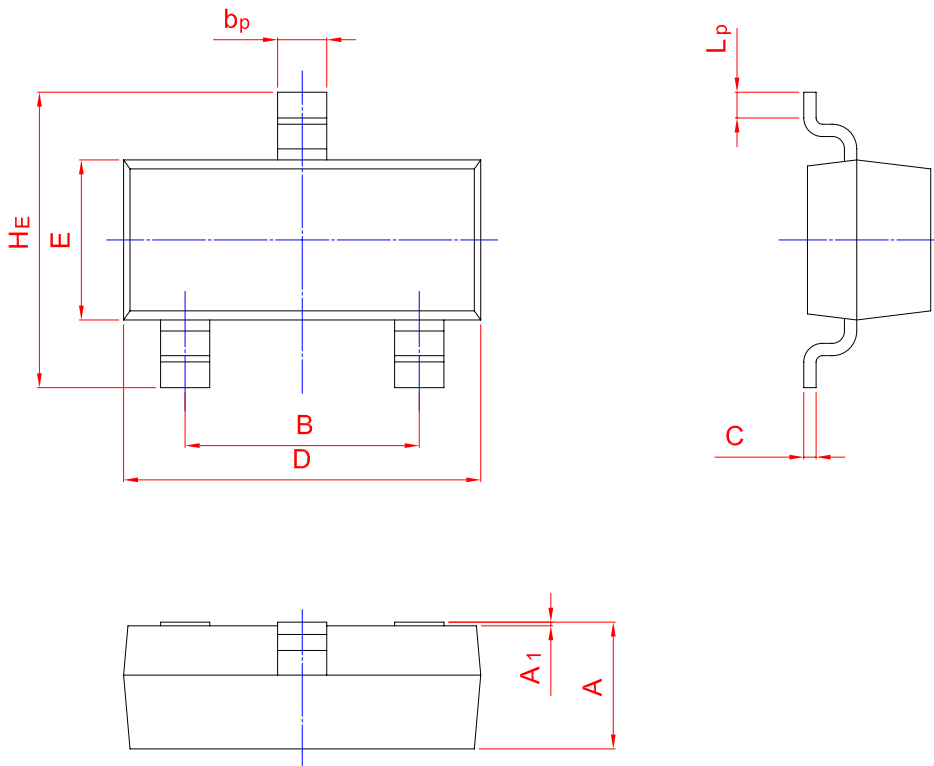
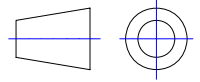




PACKAGE OUTLINE

Plastic surface mounted package; 3 leads

SOT-23



UNIT	A	B	bp	C	D	E	HE	A1	Lp
mm	1.40	2.04	0.50	0.19	3.10	1.65	3.00	0.100	0.50
	0.95	1.78	0.35	0.08	2.70	1.20	2.20	0.013	0.20